

Cleaning instructions



DAILY

- ↳ mixing cup
- ↳ brewer
- ↳ waste bin
- ↳ drip tray
- ↳ outer surface

WEEKLY

- ↳ canisters
- ↳ bean container
- ↳ grinder outlet
- ↳ fan
- ↳ inside

scan the QR
code for more
information



Daily cleaning - mixing cup



- Remove the mixing cup
- Clean the loose parts with warm water and soap (dishwasher-safe)
- Put everything back in place correctly
- Check all connections
- Activate 'rinse machine'



Daily cleaning - brewer



- Remove the brewer
- Clean the loose parts with warm water and soap (NOT dishwasher-safe)
- Put everything back in place correctly
- Check all connections
- Activate 'rinse machine'



Daily cleaning - waste bin



- Clean the waste bin with warm water and soap (NOT dishwasher safe)
- Dry



Daily cleaning - drip tray



- Clean the drip tray with warm water and soap (NOT dishwasher-safe)
- Check the float



Daily cleaning - outer surface



- Turn the machine off
- Clean the outside of the machine and the drip tray plate with a damp cloth



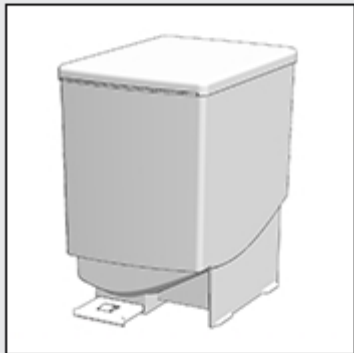
Weekly cleaning - canisters



- Connect the yellow slider
- Remove and empty the canister
- Disassemble the outlet
- Clean the loose parts DRY, with a brush
- Put everything back in place correctly
- Open the yellow slider
- Activate 'rinse machine'



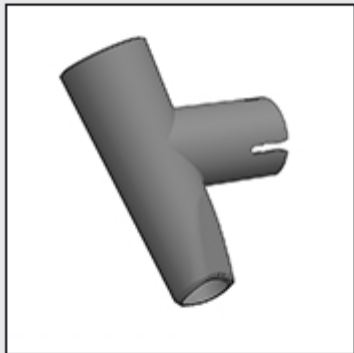
Weekly cleaning - bean container



- Remove the bean container
- Empty the bean container
- Clean the bean container
(NOT dishwasher-safe)
- Dry thoroughly



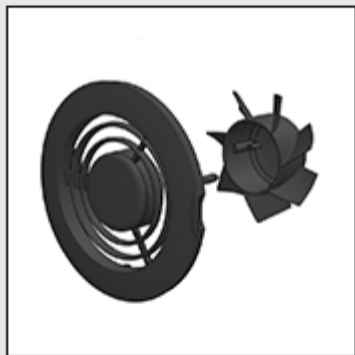
Weekly cleaning - grinder outlet



- Remove the grinder outlet
- Clean the part with hot water and soap (NOT dishwasher safe)
- Dry thoroughly



Weekly cleaning - ventilator



- Turn the machine off
- Clean the rotor with warm water and soap (NOT dishwasher-safe)
- Clean the ventilator housing with a brush or a damp cloth
- Put everything back in place correctly



Clean weekly - interior



- Remove the canister and bean container
- Remove the drip tray and the waste bin
- Clean the inside of the machine with a damp cloth

